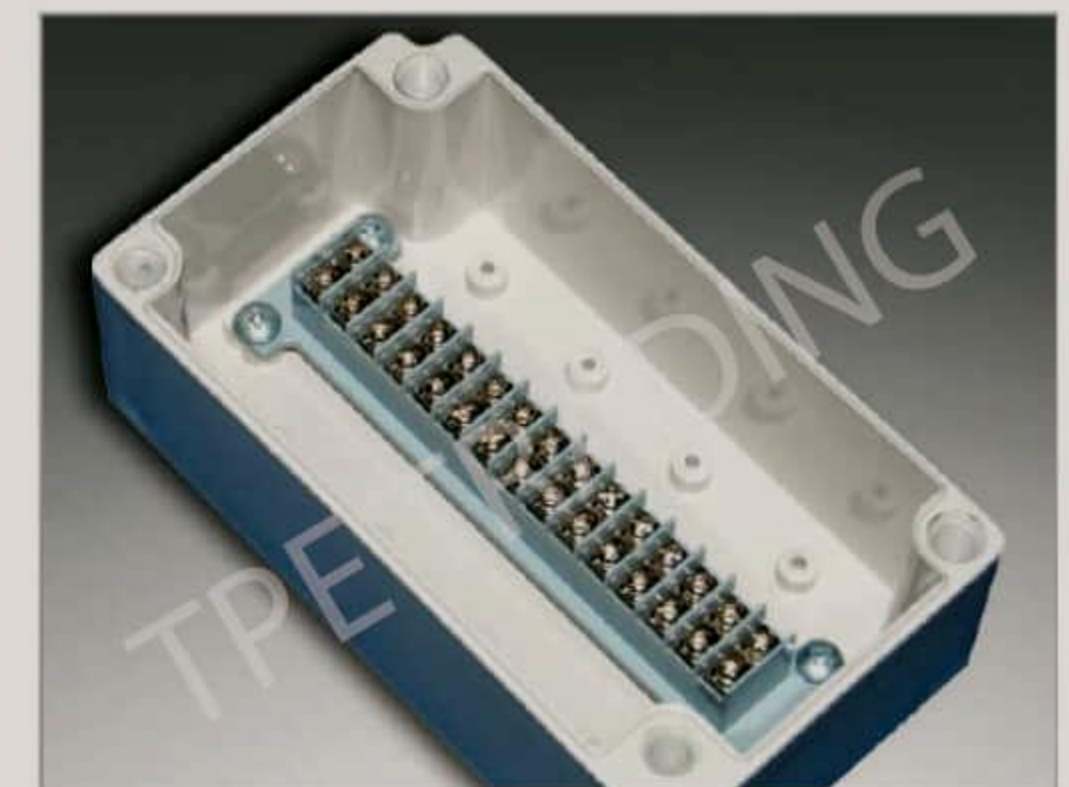




Plastic Terminal Box

Material	Plastic ABS
Normal Voltage	400V, 10 AMP
Current Capacity	0.75mm sq. - 15mm sq,
Temperature	-40°C to 120°C,
Protection Degree	IP66
Wire Size	0.5 sqmm. - 2.5 sqmm.
Features	Product with hole can be used without separate processing.



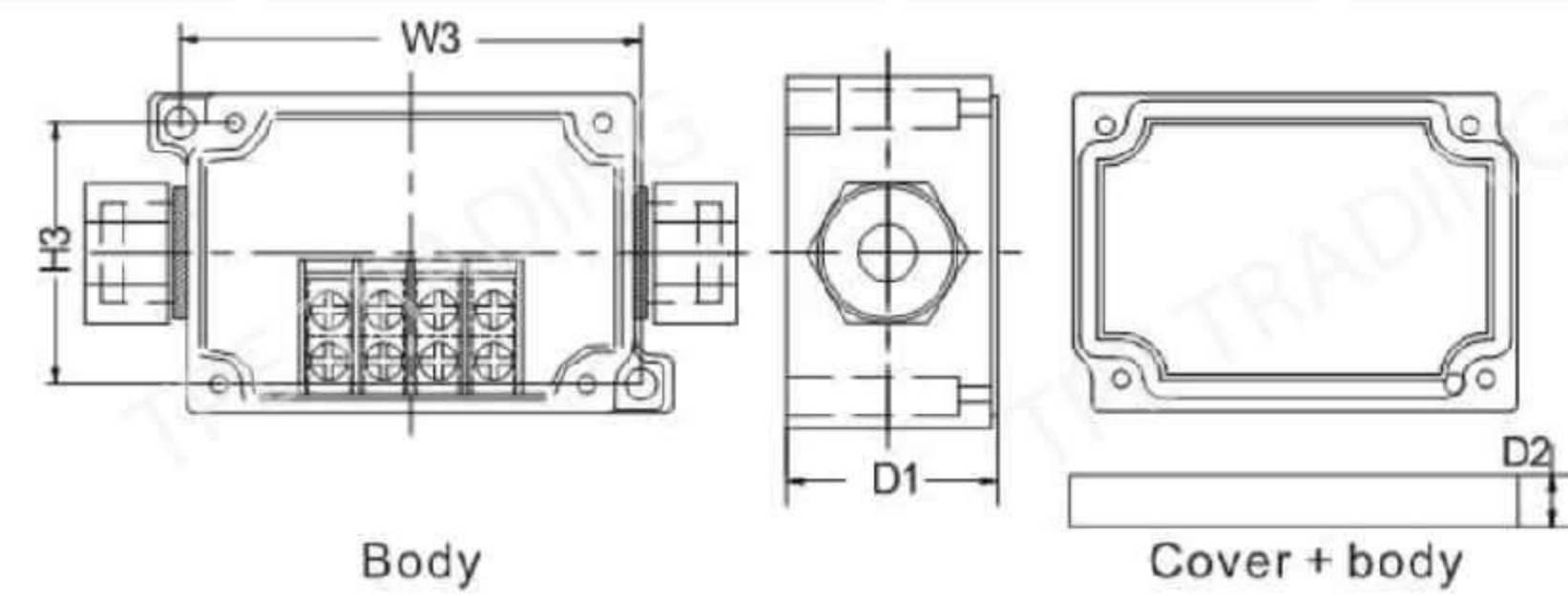
Aluminium Terminal Box

Material	AISI 12 DIN1725 Standard
Normal Voltage	400V, 10 AMP
Colours	RAL 7038
Temperature	-50°C to 130°C
Protection Degree	IP66, EN60529 Standard
Wire Size	0.5 sqmm. - 2.5 sqmm.
Standard Supply	Aluminum PUR seal, stainless steel screws, M4 screws



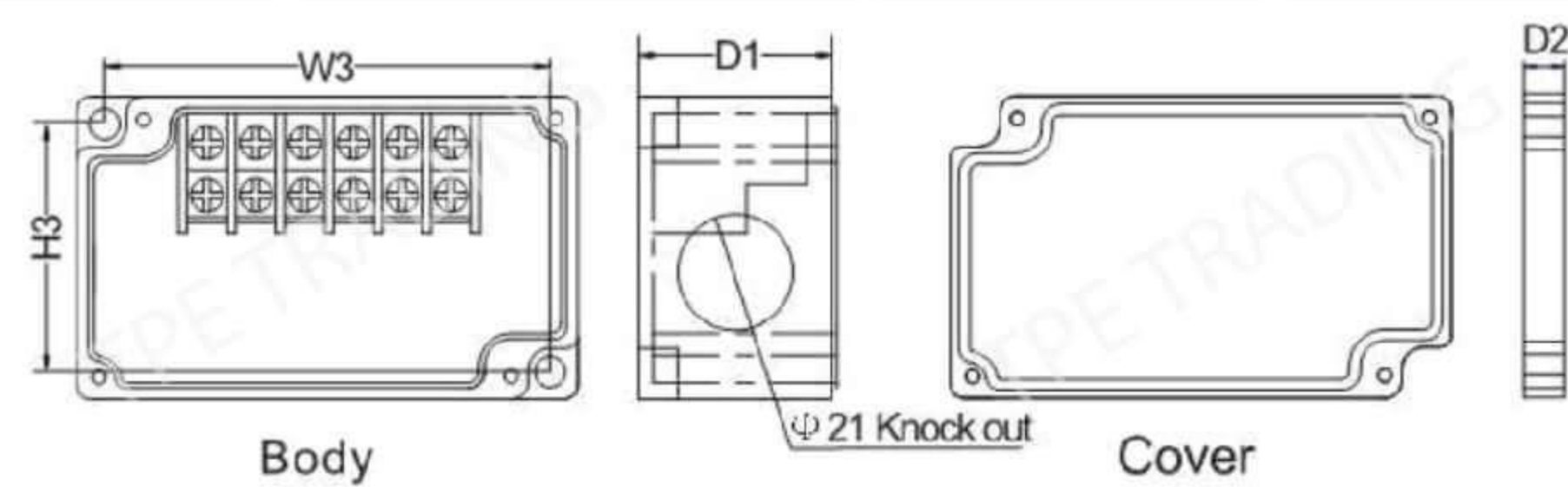
TJ-4P, TJ-6P

Model	W x H x D (mm.)	D1 + D2 (mm.)	Installation Size (mm.)	
			W3	H3
TJ-4P	102 x 50 x 40	33 + 8	72.5	41
TJ-6P	125 x 55 x 40	33 + 8	88	46



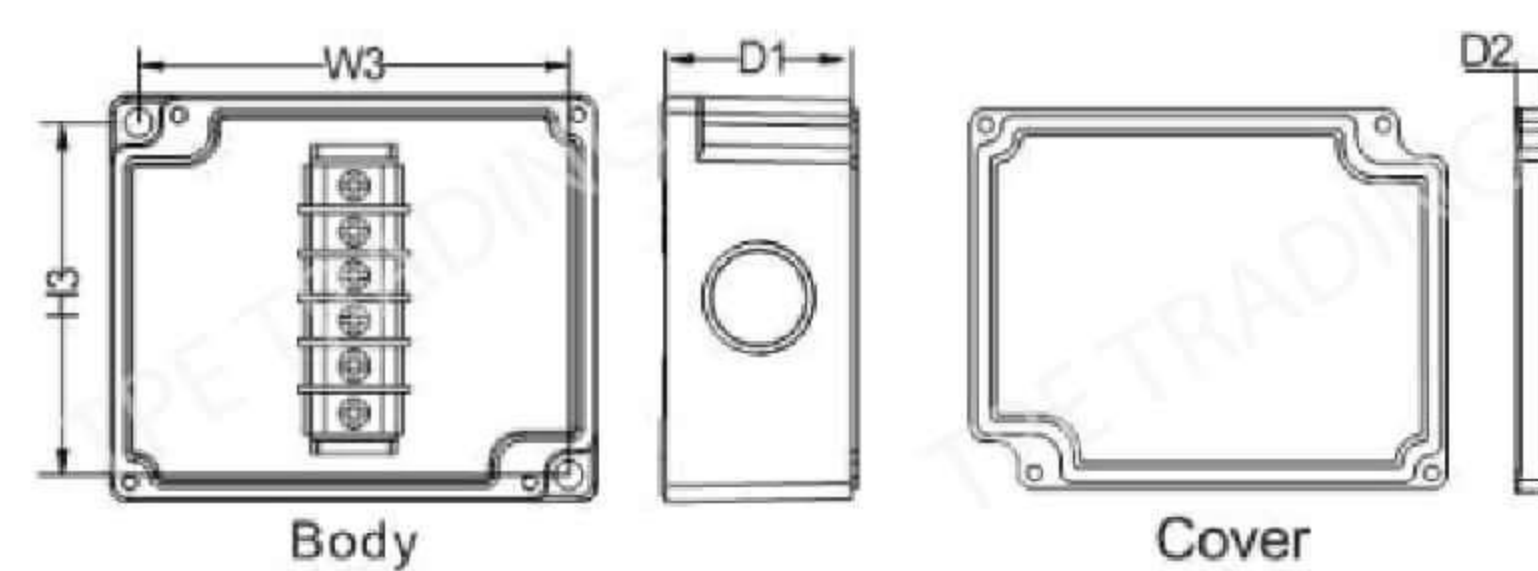
TJ-4P-K, TJ-6P-K

Model	W x H x D (mm.)	D1 + D2 (mm.)	Installation Size (mm.)	
			W3	H3
TJ-4P-K	70 x 55 x 43	35 + 8	57.8	41
TJ-6P-K	91 x 55 x 43	35 + 8	81	45



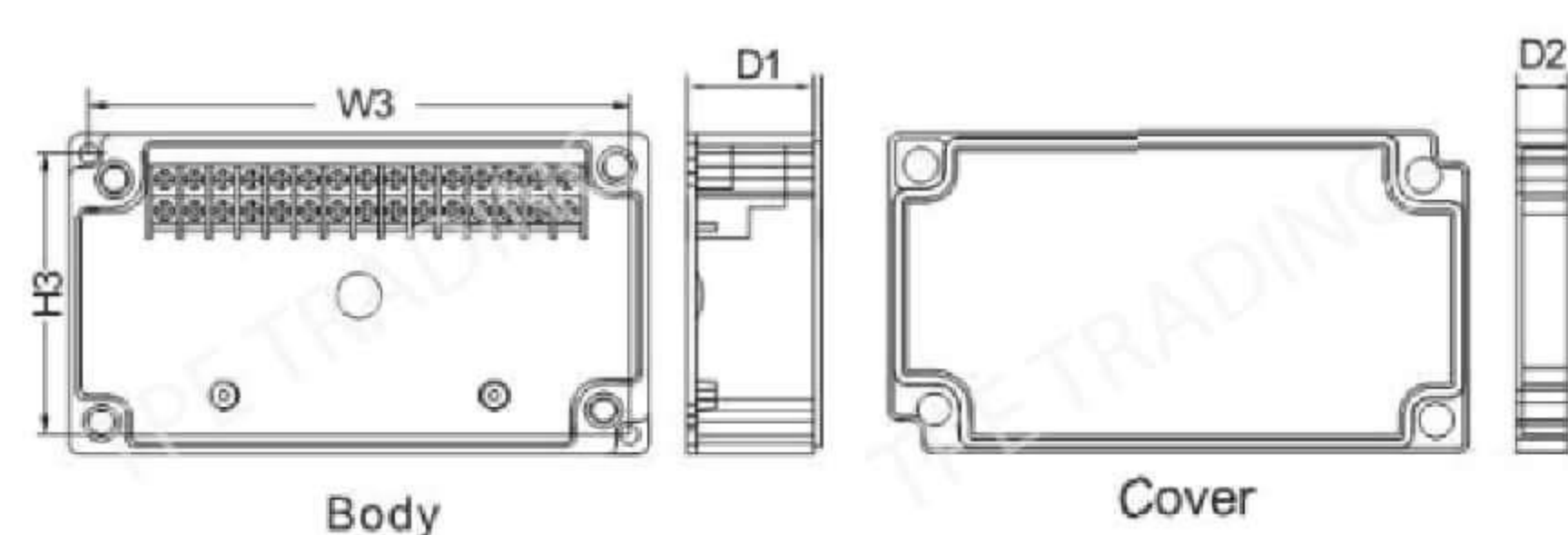
TJ-4P-M, TJ-6P-M, TJ-10P-M

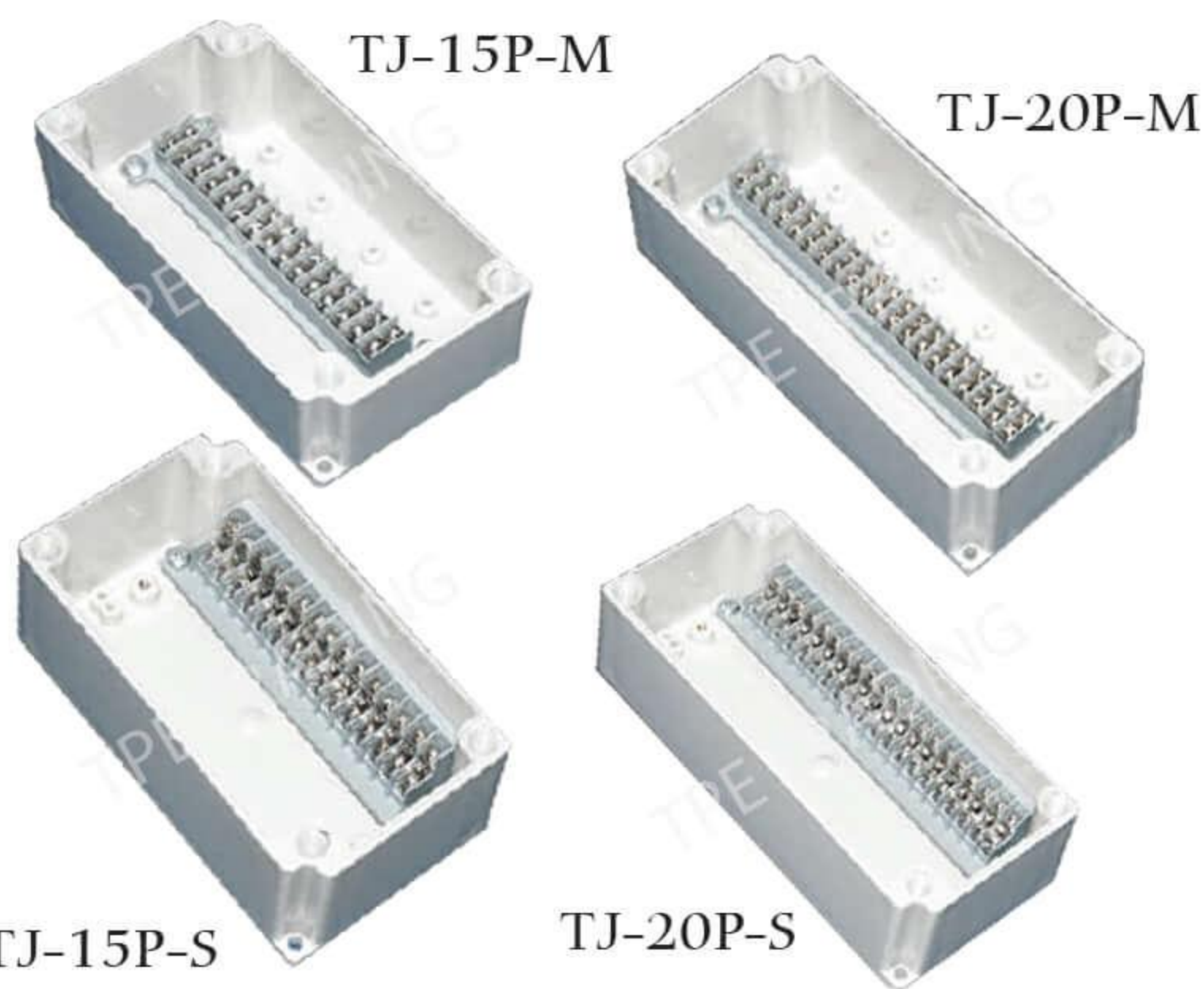
Model	W x H x D (mm.)	D1 + D2 (mm.)	Installation Size (mm.)	
			W3	H3
TJ-4P-M	91 x 55 x 43	33 + 8	78	47
TJ-6P-M	91 x 75 x 43	33 + 8	81	65
TJ-10P-M	110 x 91 x 43	36 + 8	102	84



TJ-10P, TJ-15P

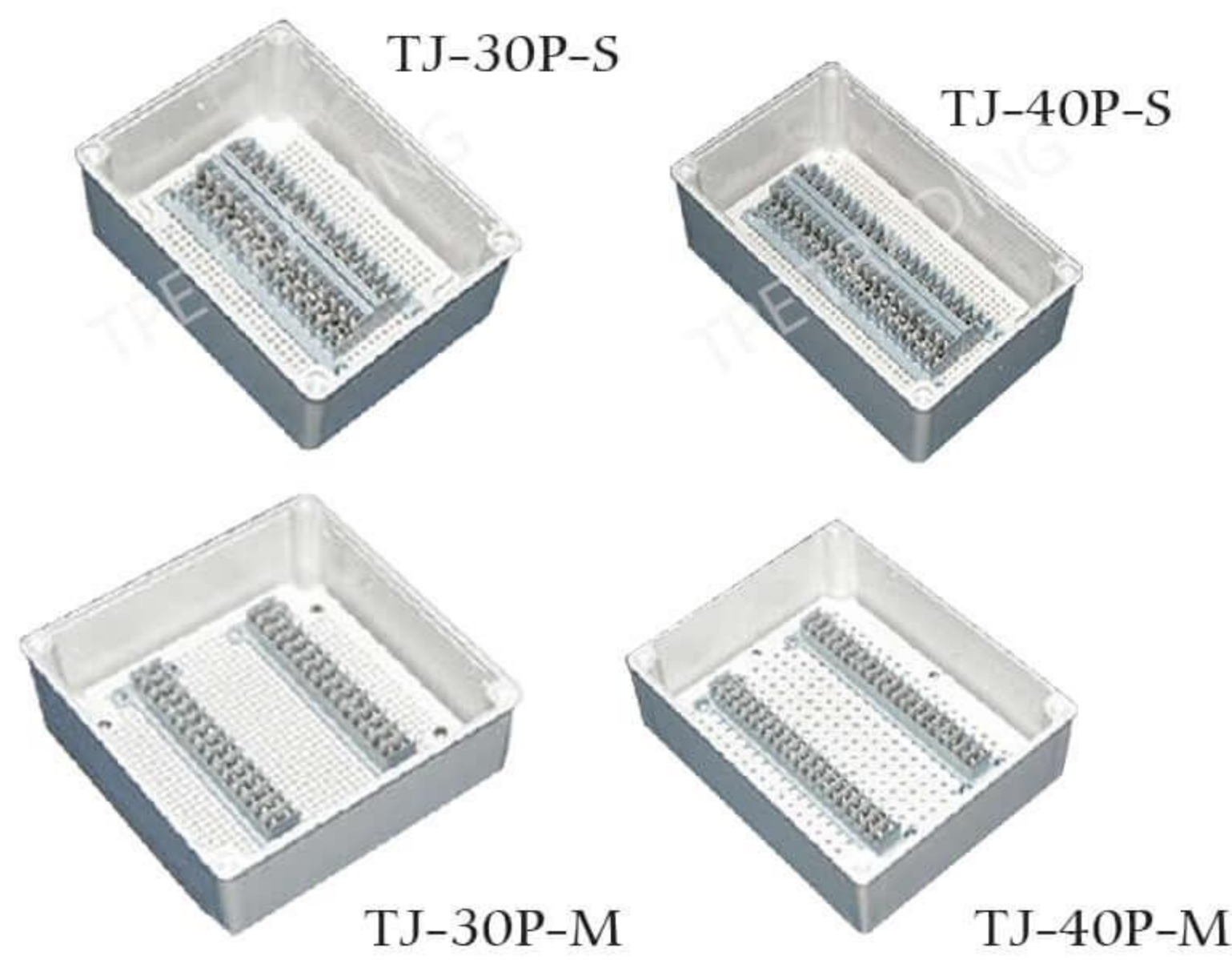
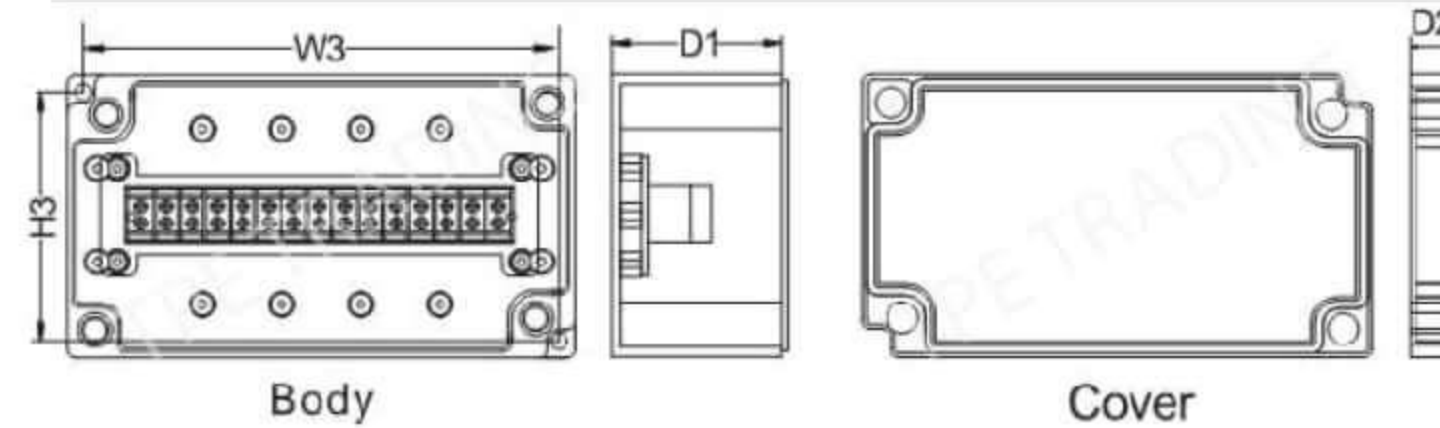
Model	W x H x D (mm.)	D1 + D2 (mm.)	Installation Size (mm.)	
			W3	H3
TJ-10P	110 x 75 x 40	32 + 8	100	65
TJ-15P	180 x 100 x 55	40 + 15	168	88





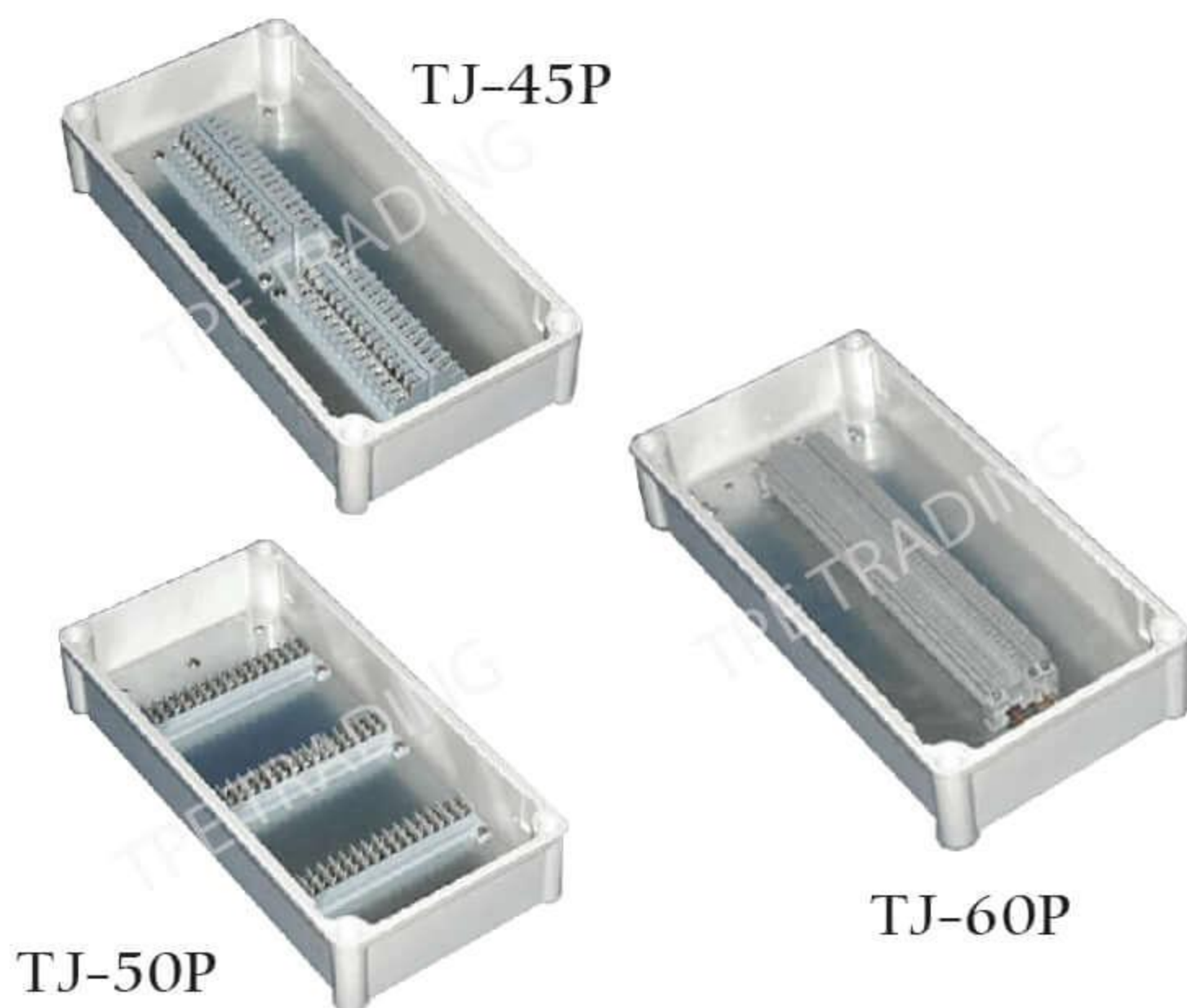
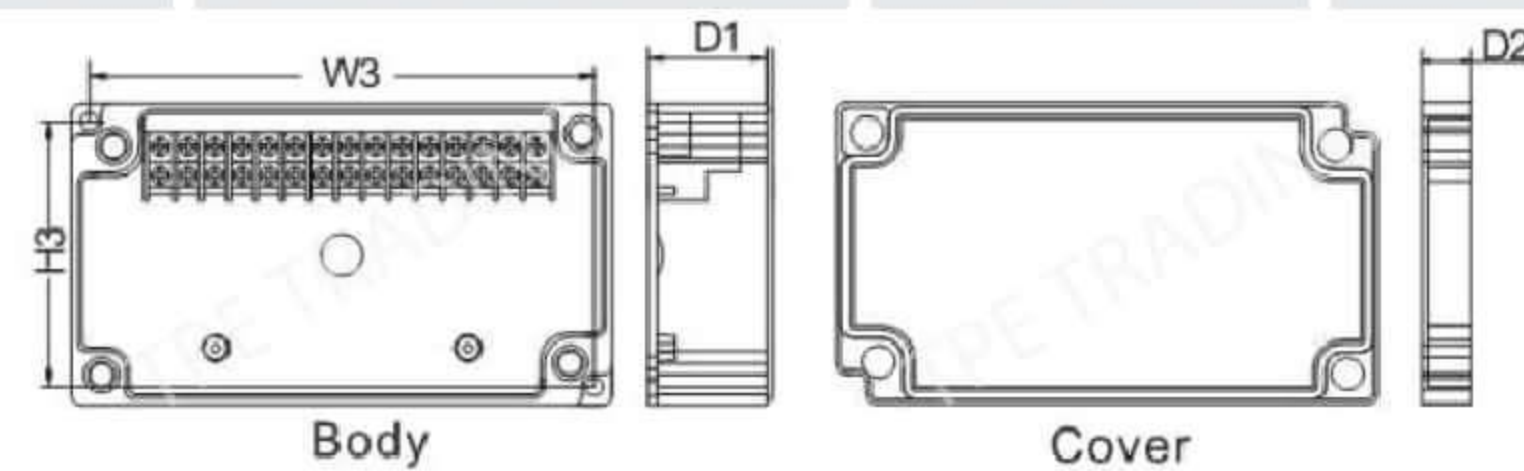
TJ-15P-S, TJ-20P-S, TJ-15P-M, TJ-20P-M

Model	W x H x D (mm.)	D1 + D2 (mm.)	Installation Size (mm.)	
			W3	H3
TJ-15P-S	180 x 100 x 75	60 + 16	168	88
TJ-20P-S	223 x 100 x 75	60 + 16	213	92
TJ-15P-M	180 x 100 x 75	60 + 16	168	88
TJ-20P-M	223 x 100 x 75	60 + 16	213	92



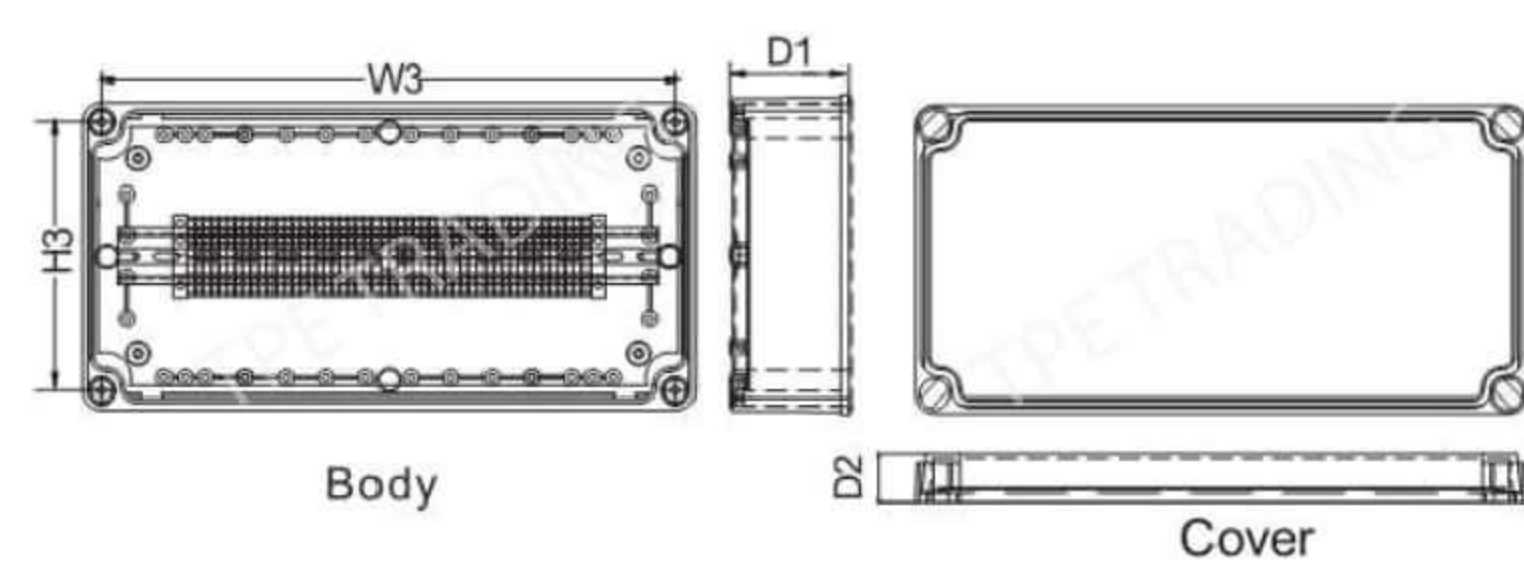
TJ-30P-S, TJ-30P-M, TJ-40P-S, TJ-40P-M

Model	W x H x D (mm.)	D1 + D2 (mm.)	Installation Size (mm.)	
			W3	H3
TJ-30P-S	200 x 150 x 100	80 + 20	181	131
TJ-30P-M	200 x 200 x 95	75 + 20	181	181
TJ-40P-S	250 x 150 x 100	80 + 20	232	131
TJ-40P-M	250 x 200 x 100	75 + 25	232	182



TJ-45P, TJ-50P, TJ-60P

Model	W x H x D (mm.)	D1 + D2 (mm.)	Installation Size (mm.)	
			W3	H3
TJ-45P	380 x 190 x 100	70 + 30	356	166
TJ-50P	380 x 190 x 100	70 + 30	356	166
TJ-60P	380 x 190 x 100	70 + 30	356	166



PBT-3P, PBT-4P, PBT-6P

Model	W x H x D (mm.)	D1 + D2 (mm.)	Installation Size (mm.)	
			W3	H3
PBT-3P	65 x 33 x 24	19.5 + 4.5	57.8	25.8
PBT-4P	60 x 40 x 24	19.5 + 4.5	52.8	32.8
PBT-6P	70 x 50 x 24	19 + 5	62	42

